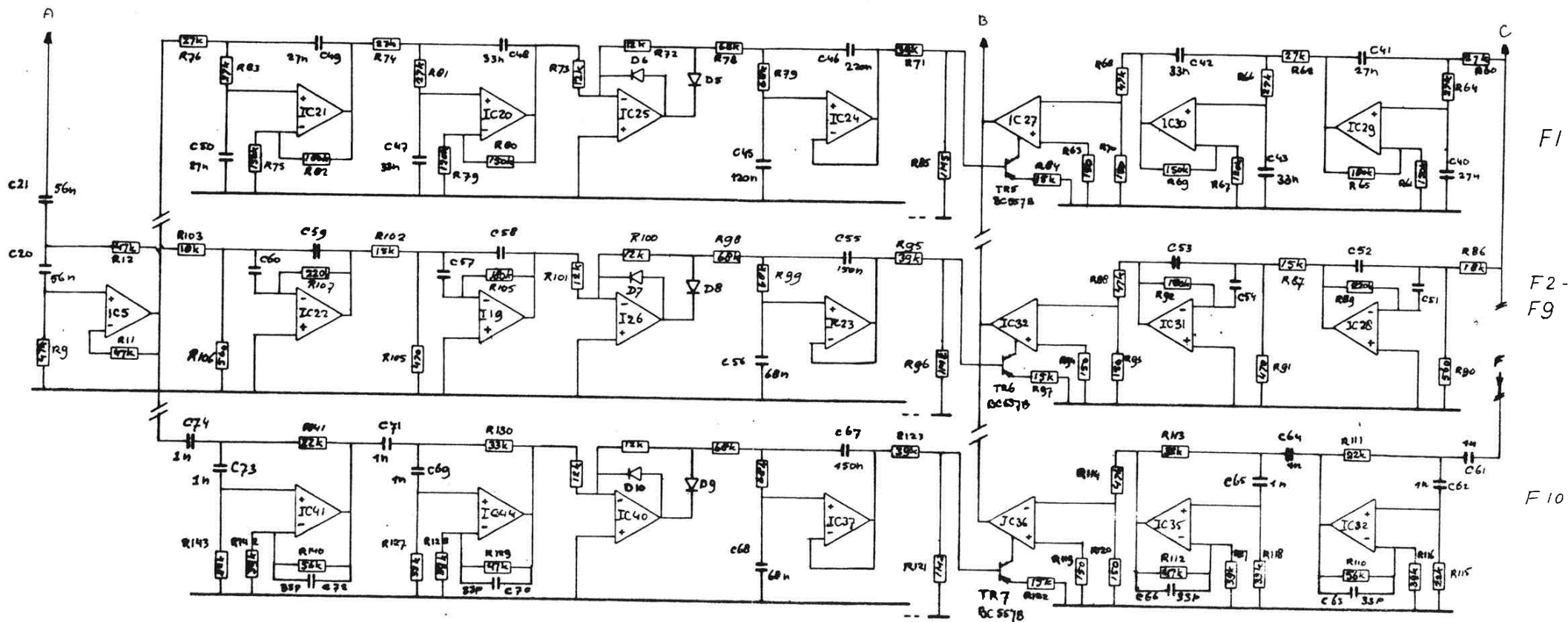


IC1 NE5534
 IC3,4,2 4741
 IC6,7 324
 IC10,11,12,13 4016
 IC14,16,17 TL084/074
 IC10 5037
 D1,2,3,4 1N4148

TITLE	SYNTOVOX VOCODER 222	REVISIONS	
SCALE	-	date	dwg no.
DATE	24-4-81	check	
		DWG NO.	

synton®

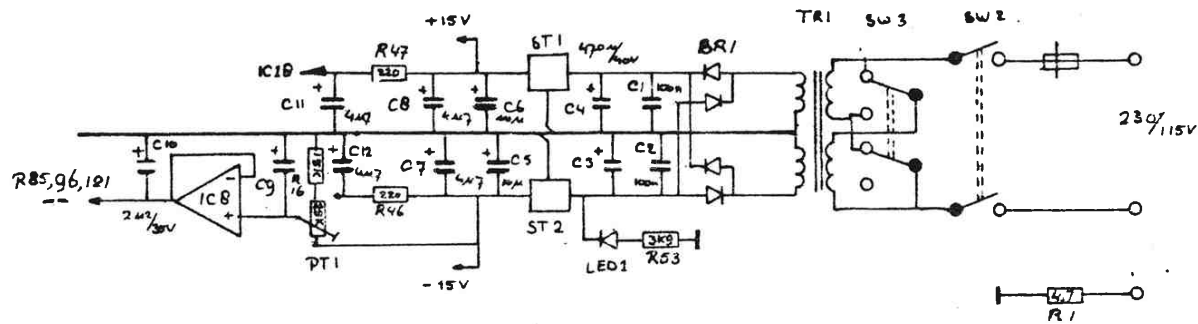


IC5 4741
 IC32,35,37,40,41,44 4741
 IC19,22,23,26,28,31 4741/324
 IC20,21,24,25,29,30 324
 IC27,32,36 3080 select.

C51,52,53,54 } F2 = 56n F3 = 39n F4 = 27n F5 = 18n
 C57,58,59,60 } F6 = 12n F7 = 8n2 F8 = 5n6 F9 = 3n9

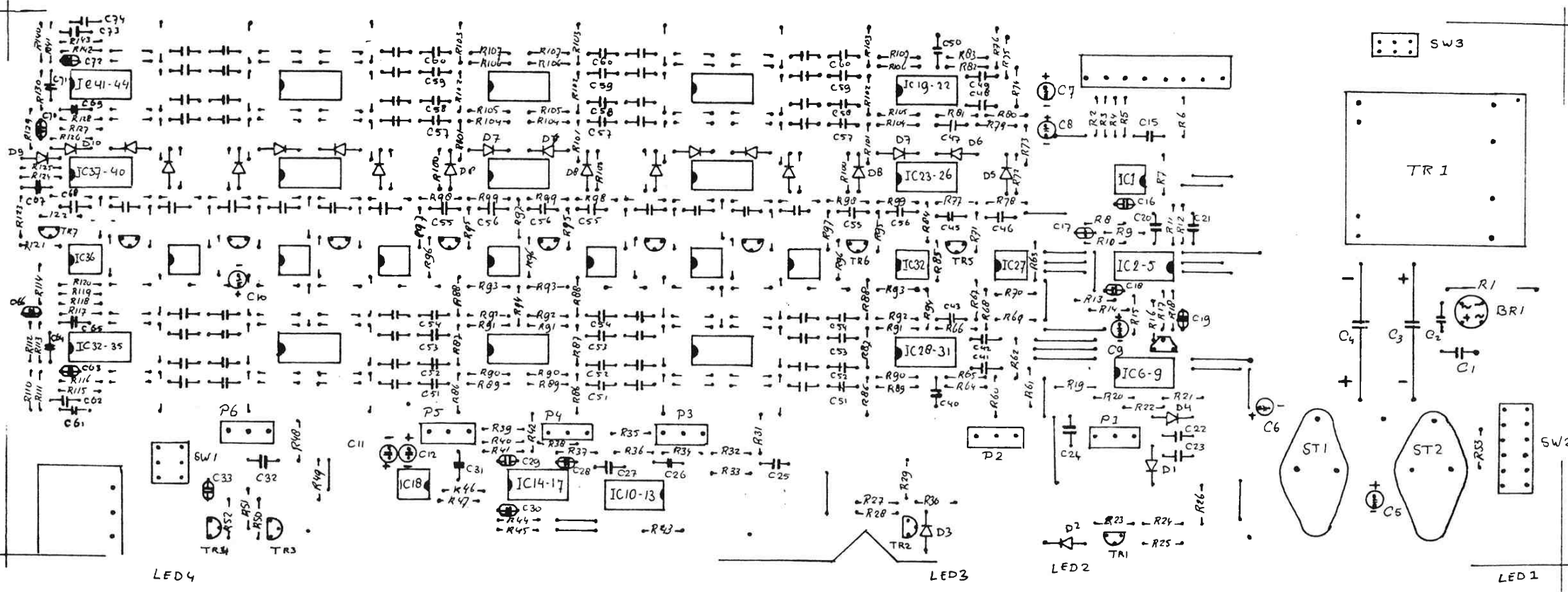
F1 Low pass filter
 F2-F9 Bandpass filter
 F10 Highpass filter.

TITLE	SYNTVOX VOCODER 222	REVISIONS
SCALE	-	date dwg.no.
DATE	24-4-81	dwg BV check
synton HOLLAND		DWG. NO. 222/02



IC8 324
 ST1 7815CK
 ST2 7915CK
 BR1 BB-C1500

TITLE	SYNTOVOX VOCODER 222	REVISIONS
SCALE	-	date dwg.no.
DATE	24-4-81	dwg BV check
synton <small>HQ. ALIP</small>		DWG. NO. 222/03



TITLE	SYNTOVox VOCODER 222	REVISIONS	date	dwg.no.
SCALE	-			
DATE	24-4-81	dwg	BV	check
				DWG. NO. 222/04